

Slickline Mast 40 feet Spider Type

The WILITEC wireline mast has been designed for your offshore slickline and cased hole logging activities.

The mast is fabricated with four folding outrigger and a hydraulic telescopic mast under design criteria such as wind speed and high safe working load SWL. The control for erecting the mast is on the base frame. The shape of the boom is from a high tensile steel structure rectangular type.

Easy installing,
performance,
safety and efficiency

Dimensions (Transportation) & Weight

40ft Mast

dimension (L x W x H)	m	4.95 x 0.74 x 0.93	ft	16.3 x 2.4 x 3.1
weight	kg	1800	lbs	3960



Design, General

- Wire line hydraulic mast
- Max wind speed rigging up/down : 25 mph
- Max wind speed operational, unguyed : 30 mph
- Max wind speed operational, guyed : 60 mph
- Safety working load at height fixture : 6,600lbs (3,000kg)
- Max line pull : 1,500 kg
- Design temperature : Td = -20°C
- Environment temperat : -20° to 55°C

Dimensions & Outrigger

- When transported; L 4.95m x W 0.74m x H 0.93m
- Weight : 1800 kg
- Manually operated triggers
- Outrigger width 4.44 m / 3.77m
- 4 jacking Castors fitted on the base



Winch System & Boom Length

- 1500 kg capacity winch c/w swivel hook and cable
- Single line pull 1350 kg
- Boom Length : Min 4.12m ~ Max 12.30m

Controls

- Proportional valve with multiple control, spring centered spool type with pressure relief valve
- Model/mfg : MC3/3, Parker
- Rated oil flow : 50 lpm
- Max. Pressure : 210 kg / cm²

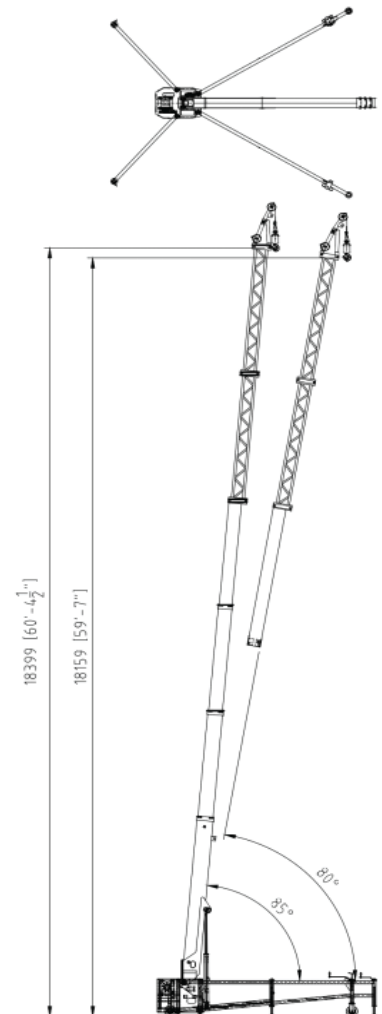


Safety Devices

- Counter balance valve for topping and telescopic cylinders
- Hydraulic brake for winch reduction gear
- Hook safety latch
- Interlock system for outriggers and sequence operation

Options

- Extension 10ft or 20ft with JIB



certificate by



contact us : info@wilitec.com | visit us : www.wilitec.com

